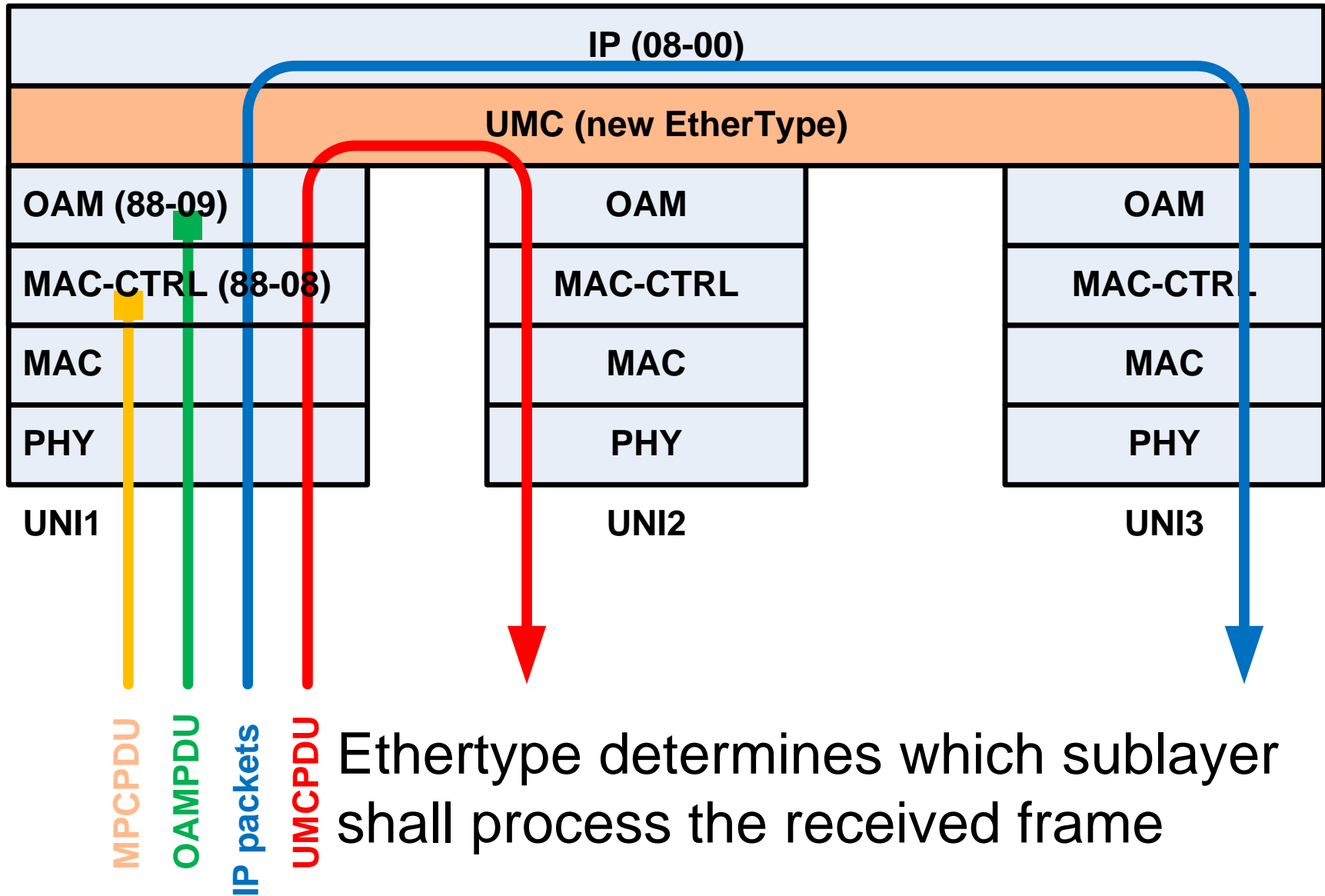




IEEE 1904.2 Task Force Closing Report

Glen Kramer, ANWG Chair
glen.kramer@ieee.org

Additional discussion



Action Items for August

- Glen: Produce a figure showing single UMC domain spanning multiple L2 domains
- Marek: Proposal for draft structure (main parts)

- ❑ Curtis and Mark: EPOC management of CNU via FCU
- ❑ Curtis and Mark: Management of demarc device
 - Connected to ONU/CNU
 - Can be L2 only or L2/L3
- ❑ Hesham: L2 tunneling to support SDN and virtualization of ONUs and middle boxes (FCU, DPU, CMC)
 - Include how OpenFlow protocol maps to UMC message format.

- ❑ **Standard for Management Channel for Customer-Premises Equipment Connected to Ethernet-based Subscriber Access Networks**
- ❑ MHMC – multi-hop management channel
- ❑ E2EMT – end-to-end management tunnel
- ❑ DMHMC – distinguished multi-hop management channel
- ❑ UMC/UMT – universal management channel/tunnel
- ❑ L2MC – Layer 2 management channel

- ❑ **Universal Management Tunnel (UMT)**
- ❑ **UMTDP – UMT Discovery Protocol**



Thank You