



# **IEEE 1904.2 VLC Task Force**

## **Closing report**

Glen Kramer, [glen.Kramer@ieee.org](mailto:glen.Kramer@ieee.org)

- Approve the agenda for the November 2020 meeting as presented in `tf2_2011_agenda.pdf`

Moved: Marek Hajduczenia

Second: Curtis Knittle

(Procedural, > 50%)

All attendees may vote:

**Motion passed by voice vote without opposition**

# Approval of Last Meeting's Minutes

## Motion #X

- Approve minutes of September 2020 meeting as recorded in \_\_\_\_\_
  
- Post the approved minutes on the TF website as
  - Moved:
  - Seconded:(Procedural, required > 50%)

Not Needed –  
Recorded in 10/2020 WG Minutes



# 1904.2 Comment Resolution

Marek Hajduczenia

- ❑ Produce draft D2.1 by incorporating all resolved comments, as recorded in `tf2_2011_comments_approved.pdf`, into the draft D2.0.
- ❑ The Editor has a license to resolve conflicts and apply editorial changes as needed.

Moved: Kevin Noll

Second: Marek Hajduczenia  
(Technical,  $\geq 75\%$ )

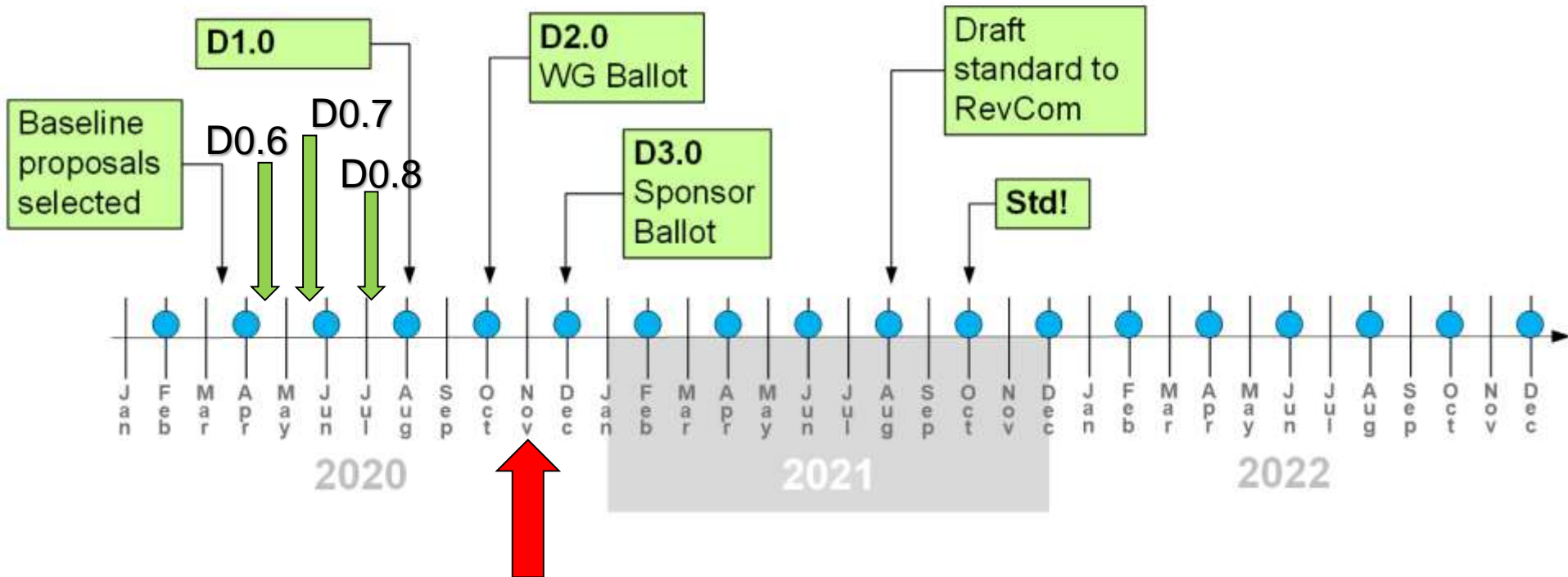
All attendees may vote:

**Motion passed by voice vote without opposition**

- Recorded in **tf2\_2011\_gap\_analysis.pdf**

- Nov 19, 4PM Pacific
  - **TF Meeting by Teleconference**
- Dec 3, 4PM Pacific
  - **Consensus Building Teleconference**
- Dec 16-17, 4PM Pacific
  - **WG Meeting by Teleconference**

## IEEE P1904.2 Timeline





- ❑ D2.1 published – Nov 25<sup>th</sup>
- ❑ Start recirculation – Nov 25<sup>th</sup>
- ❑ Ballot close: Dec 10<sup>th</sup>
- ❑ Proposed Responses published: Dec 14<sup>th</sup>
- ❑ BRC: Dec 16-17



- Does anyone have any other business to discuss?

- Agenda is exhausted.
- Meeting adjourned without motion necessary.



**Thank You**